



# silvestri

## S4 camera user manual

### TECH SPECS:

- Camera body in black anodized aluminium alloy.
- Interchangeable backs with Silvestri quick mount: 4 alignment points and 8° of rotation .
- Lenses mounting in Silvestri bayonet or on 106x106mm. precision lens boards.
- Autoblocking micrometric 40mm. shift movement.
- 4x5" standard back of the international Graflock system , with Fresnel lens included.
- Dimensions: 260mm x1700mm x100mm
- Weight: 2350 grammes.



### LARGE TO MEDIUM FORMAT CAMERA

The S4 camera is a further proof of Silvestri system's increasing vitality.

It's strong points are:

- Easiness in making it operative in few seconds.
- Simplicity of control , which makes any operation instinctive and immediate.
- Optical equipment, the best that worldwide quality can offer.
- Modularity, which permits its integration with the rest of Silvestri system's cameras.

Most of the formerly produced lenses ,mounted in Silvestri bayonet, can be used on this camera.

Accessories for the 4x5" back are those proper of the international Graflock system; special adapters have been designed to enable the use of Model H and SLV cameras 6x7 and 6x9 backs.

A 6x12cm. adapter back permits the use of the Cod. 6070 roll film holder.

The optical series is made up of 14 lenses mounted in bayonet ; a further group of lenses can be mounted on special 106x106mm. lens boards. All lenses use focusing helical rings.

### Operative characteristics

Projected to be easy to handle and use, the S4 camera can be carried already mounted and ready to be operative ; backs and lenses can be substituted in few seconds, whereas the mechanical high precision assures optical and focal planes' perfect parallelism. Thanks to elements compactness, it is suitable to move easily in historical centres, by now nearly inaccessible to cars. The camera can be carried already fixed to tripod, saving time and having an operativity that traditional view cameras could never give. These are qualities shown by the S4 camera, whether operating outdoor or indoor, in each of its application fields: Architectural, town planning , artistical and historical documentation , landscape and industrial photography of factories and works progress , turistical brochures, publishing photography of artistical subjects and research photography.



# silvestri

Via Della Gora 13/5 - 50025 Montespertoli FI, Italy  
e.mail [info@silvestricamera.com](mailto:info@silvestricamera.com) - [www.silvestricamera.com](http://www.silvestricamera.com)  
Tel +39.0571.675049 Fax +39.0571.675919

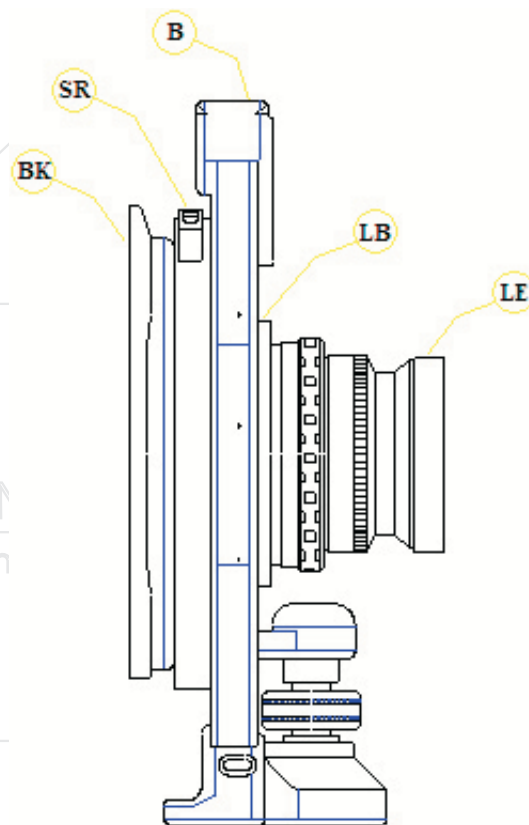


## S4 Combinations Table for lenses and their accessories

The S4 camera (B), comprises the international 4x5" back (BK). All accessories produced for this format are usable without further expedients: the SILVESTRI system lenses have bayonet mounts (LE), can be used without further modifications by means of the special spacing rings (SR), together with the appropriate lens boards (LB) as illustrated in the figure on the right.

### SYMBOLS

- B = Camera Body
- BK = Back
- LB = Lens Board
- LE = Lens
- SR = Space Ring



LE = Lens	B = Body	LB = Lens Board	SR = Space Ring	BK = Back (Up to format)
Super Angulon 5,6/47XL Code 2047X-2049	S4 cod 1100	Type S cod.1118	no	4x5 "
Apo Grandagon 4,5/55 Code 2055-2056	"	Type R Cod.1119	2S cod.1110	"
Super Angulon 5,6/58XL Code 2058-2059	"	Type S Cod.1118	2S cod.1110	"
Super Angulon 5,6/65 Code 2065-2066	"	"	"	"
Grandagon N 4,5/65 Code 2060-2061	"	"	"	"
S. Angulon 5,6/72XL in LB Code 1172X	"	Included	3S cod.1112	"
Super Angulon 5,6/75 Code 2075-2077	"	Type S Cod. 1118	3SR cod.1113	"
Grandagon N 4,5/75 Code 2070-2071	"	Type R Cod.1119	3SR cod.1113	"
Grandagon N 6,8/75 Code 2076	"	"	"	"
Grandagon N 6,8/90 in LB Code (special order)	"	Included	3SR cod.1113	"
Super Angulon 5,6/90 in LB Code 1190	"	Included	5S cod.1115	"
Super Angulon 8/90 Code 2098	"	Type F Cod.1123	3SR cod.1113	"
Apo Symmar 5,6/100 Code 2100-2102	"	"	"	6x9-6x12 1106-1105
Apo Sironar 5,6/100 Code 2010	"	Type G Cod.1125	"	"
Apo Symmar 5,6/120 Code 2120A	"	Type E Cod.1121	5S + 2S 1115 + 1110	6x9-6x12 1106-1105
Apo Symmar 5,6/135 Code 2135A	"	Type E Cod.1121	5S + 3S 1115-1112	4x5 included
Apo Sironar 5,6/135 Code 2035A	"	Type E Cod.1121	5S + 3S 1115-1112	4X5" included